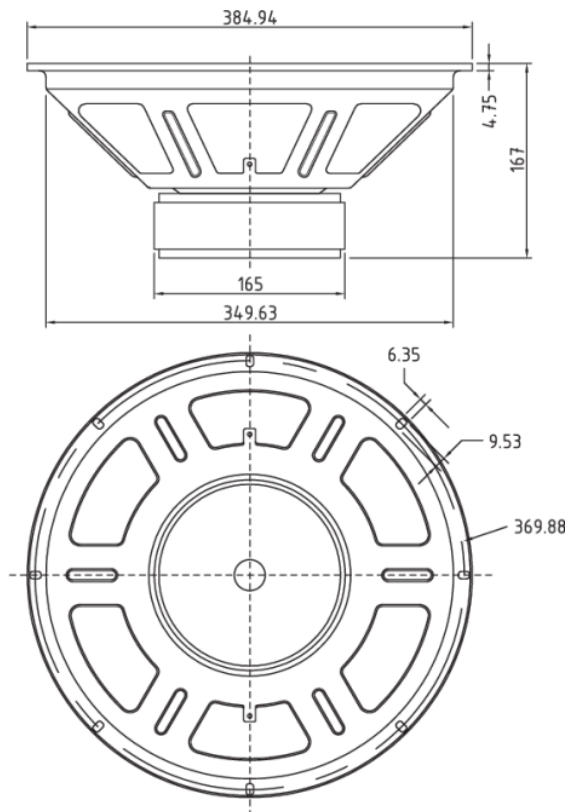




DVC385-88 15" DVC Series Subwoofer 8 Ohm

DVC385-88



PARAMETERS

Impedance	8 ohms
Re	2.4 ohms
Le	2.31 mH @ 1 kHz
Fs	20.9 Hz
Qms	8.65
Qes	0.47
Qts	0.45
Mms	234g
Cms	0.25 mm/N
Sd	829.6 cm ²
Vd	1,252.7 cm ³
BL	12.6 Tm
Vas	237 liters
Xmax	15.1 mm
VC Diameter	51 mm
SPL	93.7 dB @ 2.83V/1m
RMS Power Handling	350 watts
Usable Frequency Range (Hz)	20 - 450 Hz

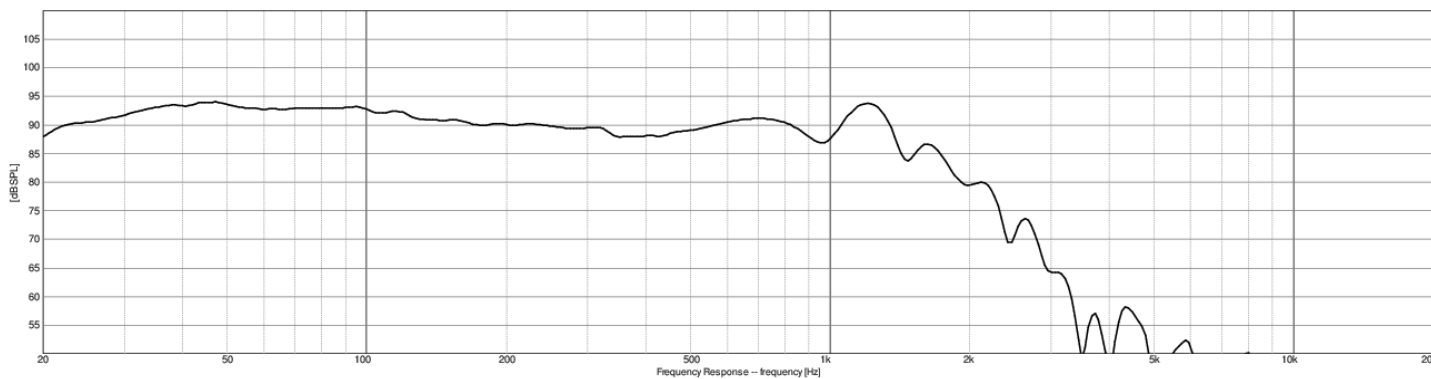
FEATURES

- Designed for sealed, vented, bandpass, and transmission line speaker systems
- Dual 8 ohm voice coils offer plenty of connection flexibility
- Kevlar-impregnated paper cone terminated with a durable, thick foam surround
- US-engineered and manufactured 15" subwoofer driver

IMPEDANCE/PHASE



FREQUENCY RESPONSE



Note: 1/12th octave smoothing - nearfield response included in graph below 450 Hz.

Black = 0°