

# JANTZEN AUDIO

## Binding Post Plates & Jumpers



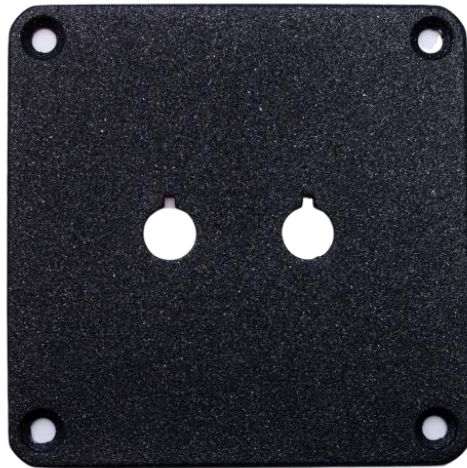
Page 2 to 4.....Binding post plates

Page 5 to 7.....Binding post jumpers

# Binding Post Plate (Single)

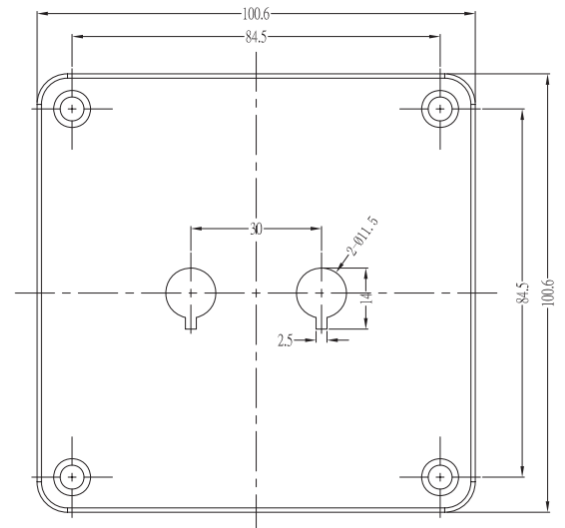
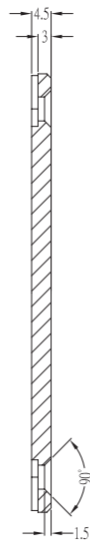
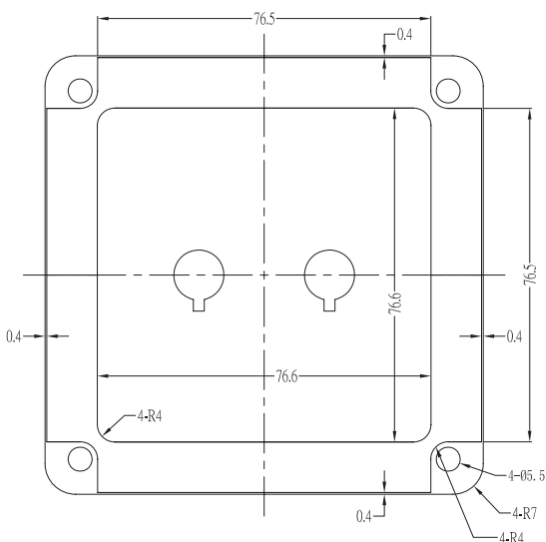
Powder Coated / Textured Surface (Black)

Product index: 012-0101



## Technical Data:

- Size: 100 mm x 100 mm
- Thickness: 3 mm
- Weight: 80 grams
- Finish: Textured black powder coating



# Dayton Audio Binding Post Plate (Single)

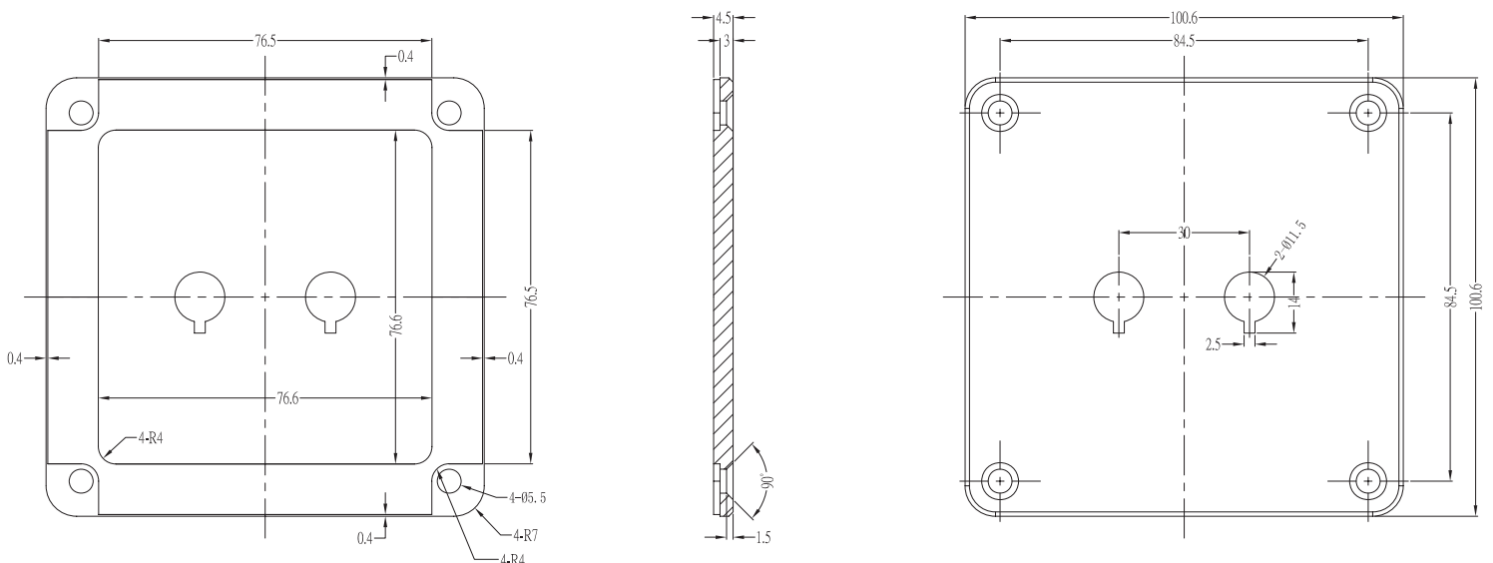
Anodised (Black)

Product index: PE 091-602



## Technical Data:

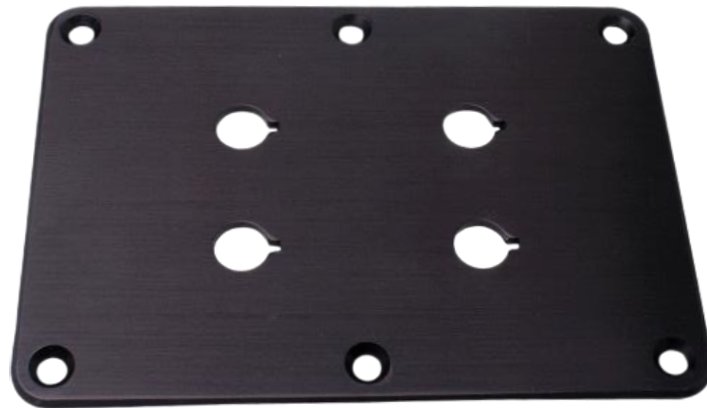
- Size: 100 mm x 100 mm
- Thickness: 4.5 mm
- Weight: 90 grams
- Finish: Smooth Anodized (Black)



# Dayton Audio Binding Post Plate (Double)

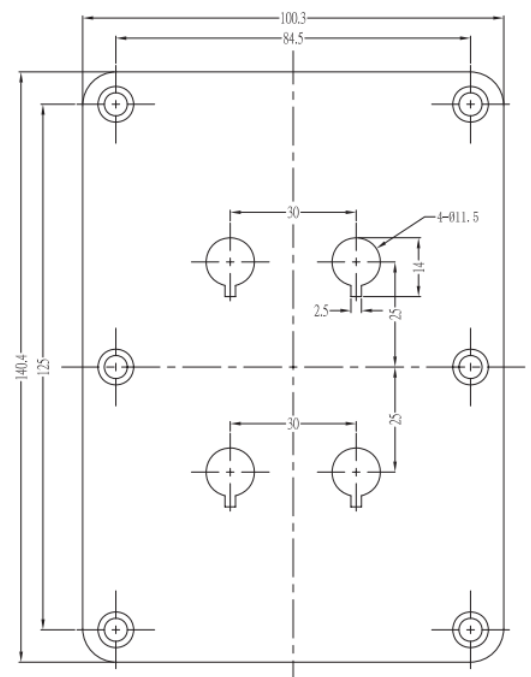
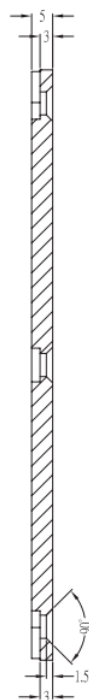
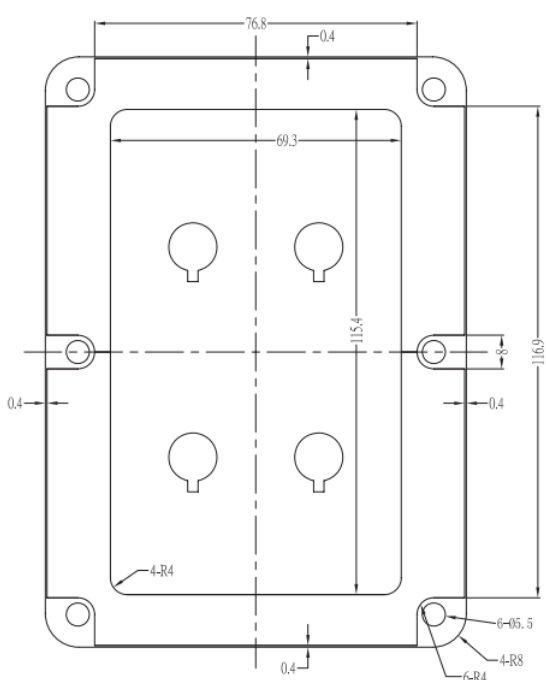
Anodised (Black)

Product index: PE 091-612



## Technical Data:

- Size: 100 mm x 140 mm
- Thickness: 5 mm
- Weight: 140 grams
- Finish: Smooth Anodized (Black)



# Single Binding Post Jumper M6/M8

Gold Plated

Product index: 012-0230



## Technical Data:

Plating: Gold

Weight: 3 grams

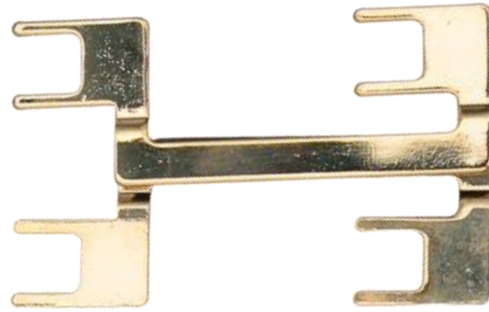
Fits Binding Post Models:

012-0160, 012-0180, 012-0190, 012-0199, 012-0200, 012-0210,  
012-0220

# Double Binding Post Jumper M9

Gold Plated

Product index: 012-0240



## Technical Data:

Plating: Gold

Weight: 6 grams

Fits: M9

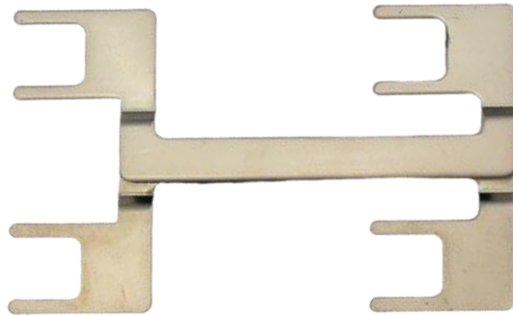
Fits Binding Post Models:

012-0180, 012-0190, 012-0199, 012-0200, 012-0210, 012-0220

# Double Binding Post Jumper M9

Satin Nickel

Product index: 012-0250



## Technical Data:

Finish: Satin Nickel

Weight: 6 grams

Fits: M9

Fits Binding Post Models:

012-0180, 012-0190, 012-0199, 012-0200, 012-0210, 012-0220

For B2C sales (private consumers):

To find a distributor of our products in your region, please follow the link below:

☛ [WHERE TO BUY](#)

For questions about technical subjects, distribution or B2B sales, kindly contact us at:

☛ [CONTACT@JANTZEN-AUDIO.COM](mailto:CONTACT@JANTZEN-AUDIO.COM)

For B2B (business to business) orders kindly contact us at:

☛ [ORDERS@JANTZEN-AUDIO.COM](mailto:ORDERS@JANTZEN-AUDIO.COM)