

# JANTZEN AUDIO

## GRILL PEGS & CATCHERS

For fastening speaker front dust guard



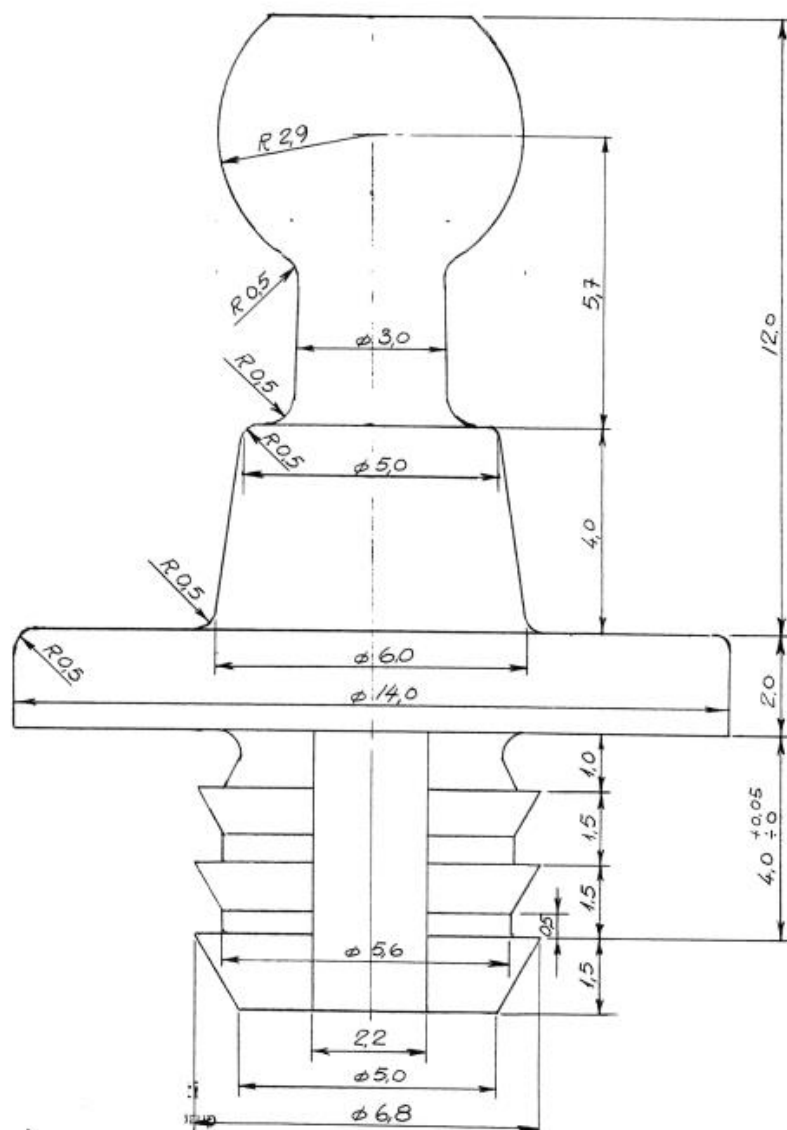
# Male Peg - Model #900102

Fits catcher models #900112, #900113 & #900116

Product index: 051-0100



## Technical drawing:



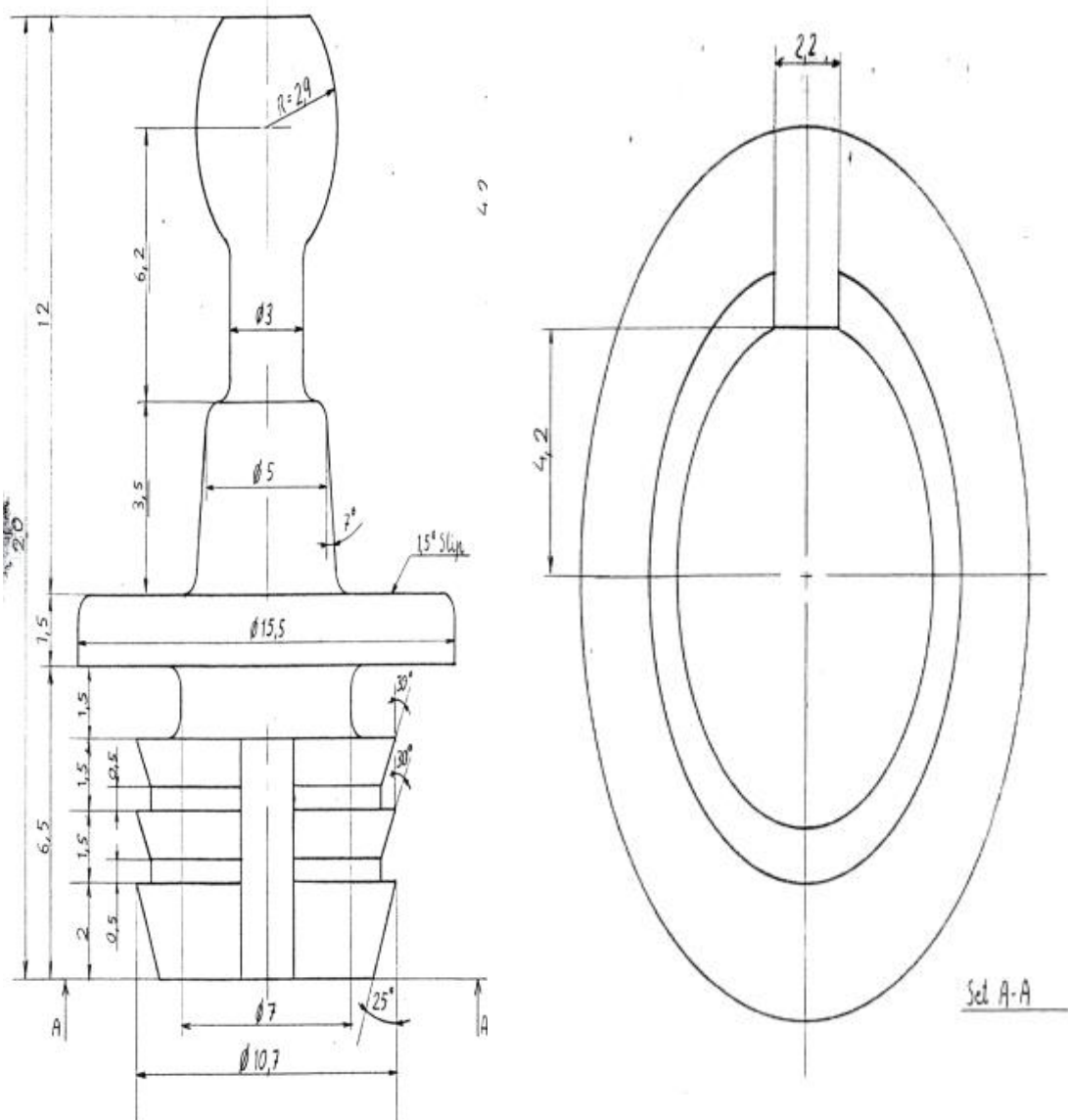
# Male Peg - Model #900103

Fits catcher models #900112, #900113 & #900116

Product index: 051-0101



## Technical drawing:



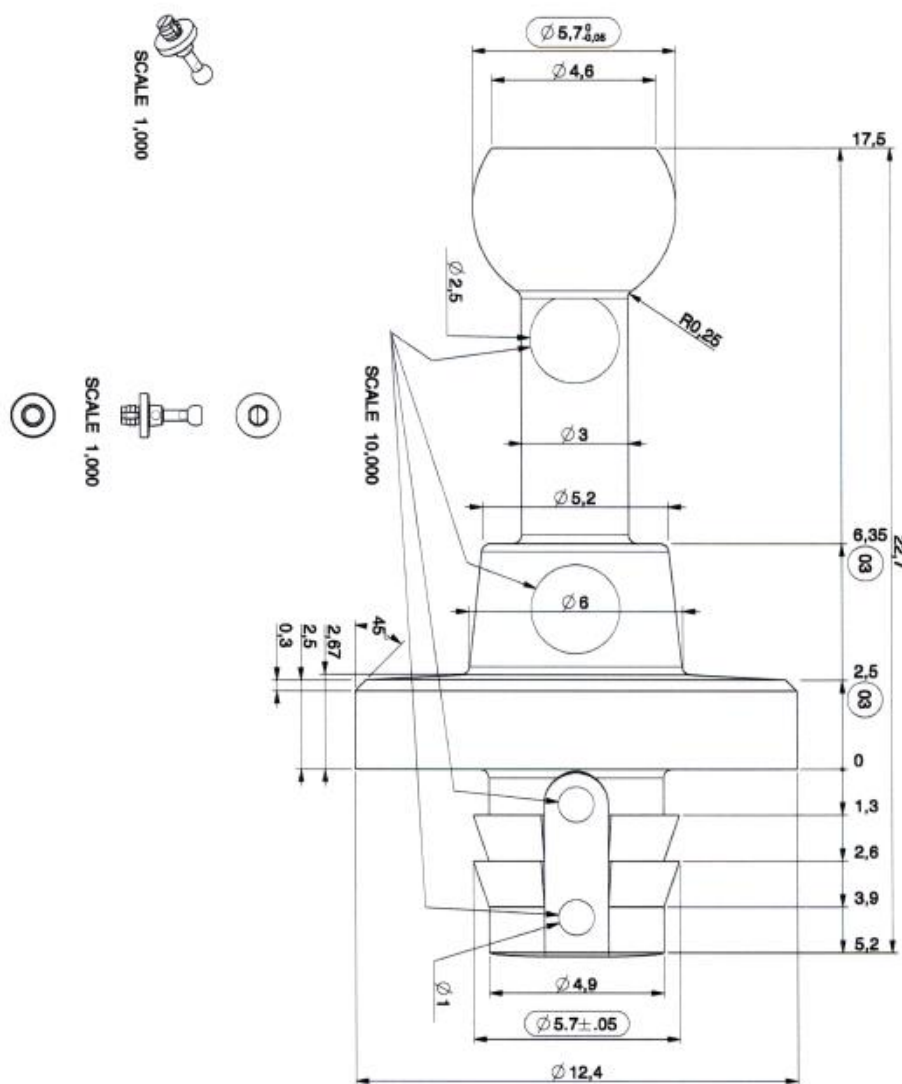
# Male Peg - Model #900124

Fits catcher model #900125

Product index: 051-0103



## Technical drawing:





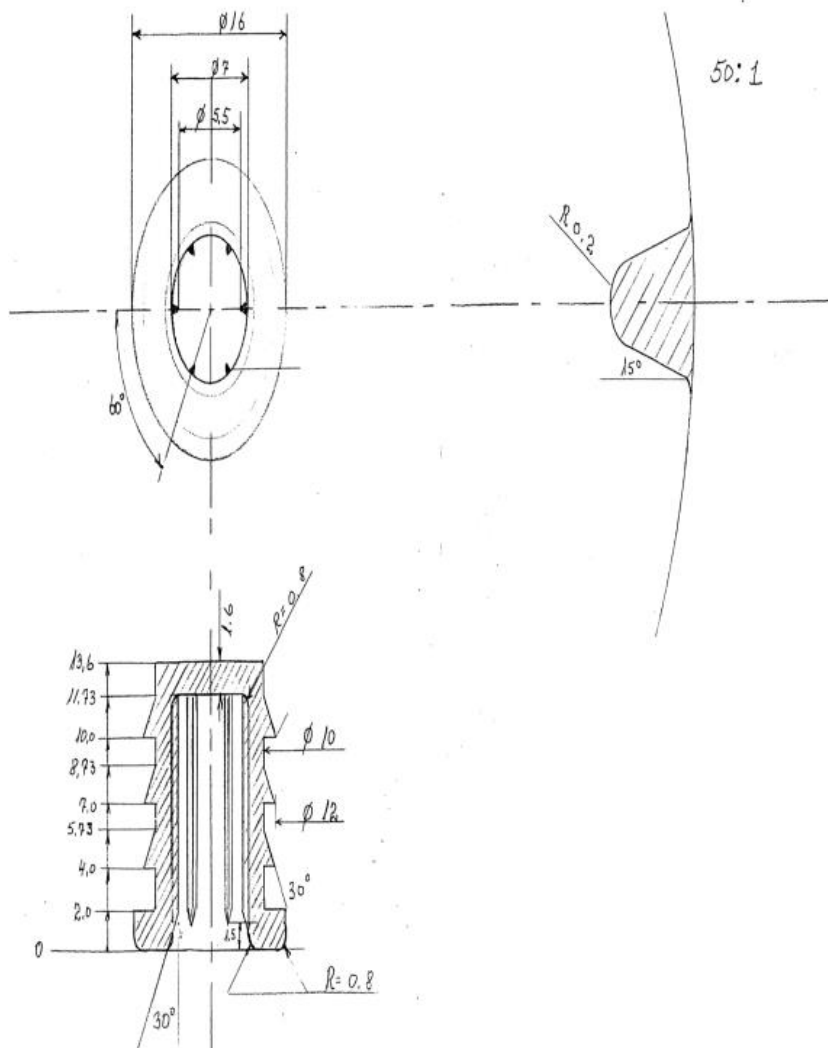
# Female Catcher - Model #900113

Fits peg models #900102 & #900103

Product index: 051-0105



## Technical drawing:



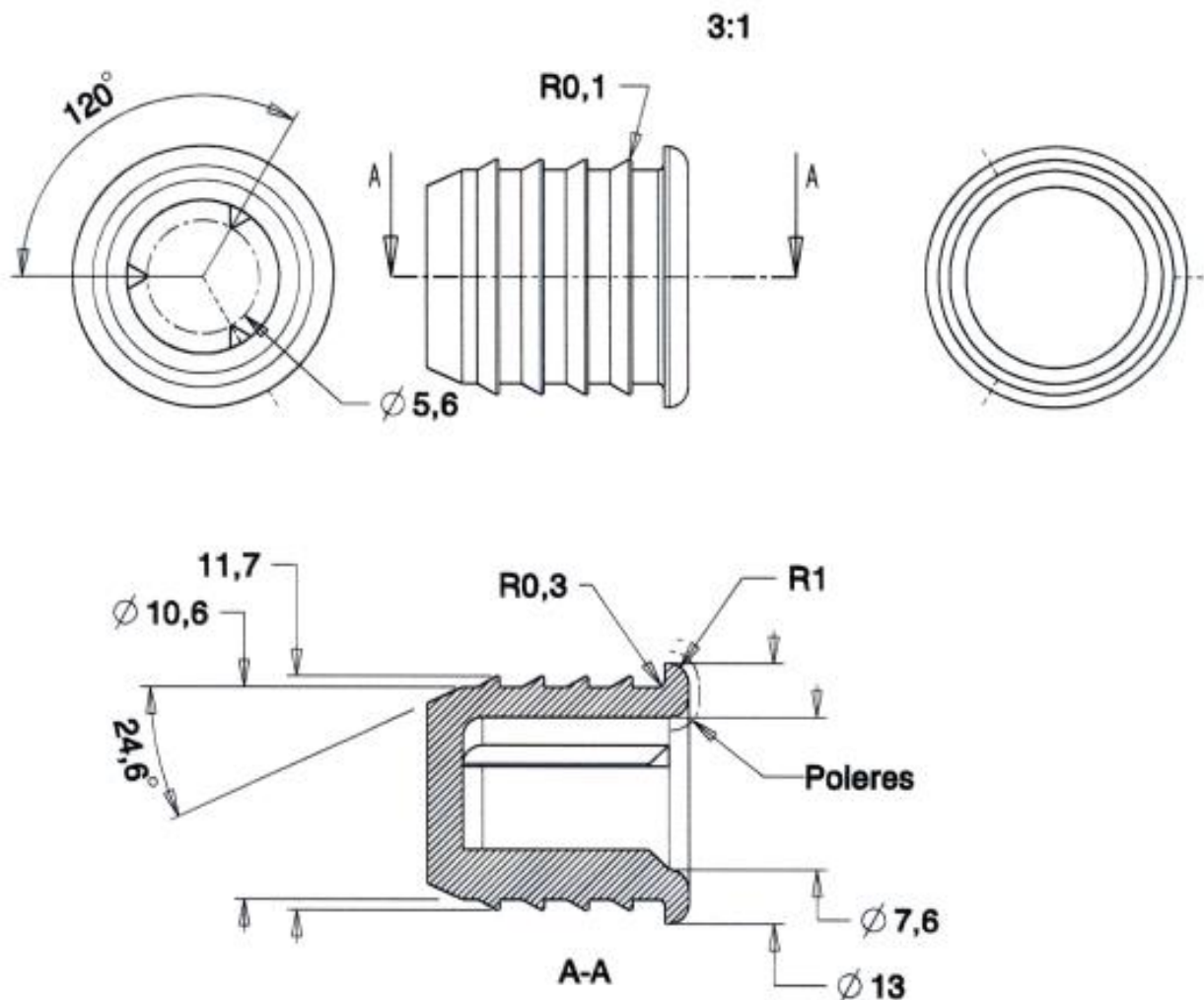
# Female Catcher - Model #900116

Fits peg models #900102 & #900103

Product index: 051-0106



## Technical drawing:



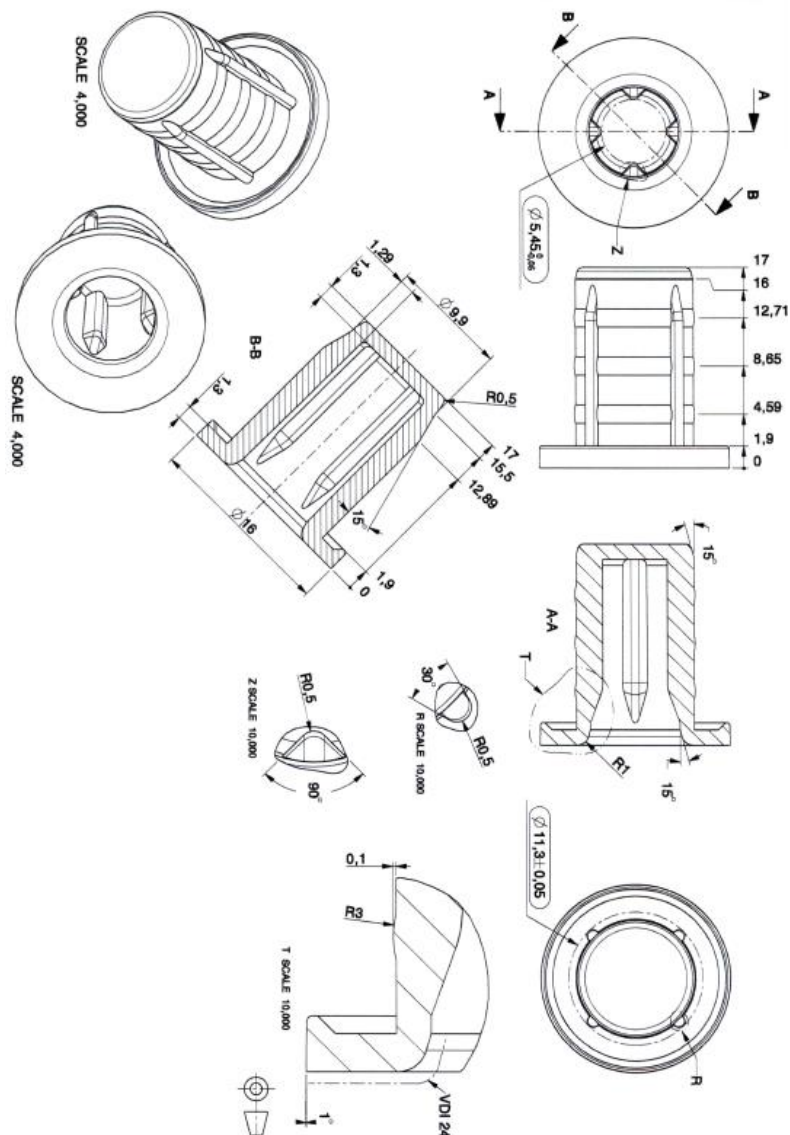
# Female Catcher - Model #900125

Fits peg model #900124

Product index: 051-0108



## Technical drawing:





For B2C sales (private consumers):

To find a distributor of our products in your region, please follow the link below:

☛ [WHERE TO BUY](#)

For questions about technical subjects, distribution or B2B sales, kindly contact us at:

☛ [CONTACT@JANTZEN-AUDIO.COM](mailto:CONTACT@JANTZEN-AUDIO.COM)

For B2B (business to business) orders kindly contact us at:

☛ [ORDERS@JANTZEN-AUDIO.COM](mailto:ORDERS@JANTZEN-AUDIO.COM)